

UTC 8507

LINEAR INTEGRATED CIRCUIT

COMPANDER

DESCRIPTION

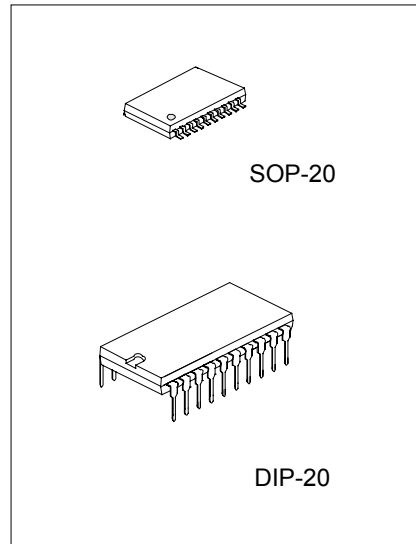
The UTC 8507 is a automatic gain control system that is used for dynamic range compression and expansion.

By companding the signal, this can reduce the noise components.

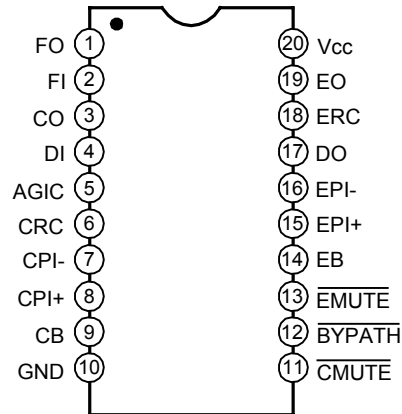
The UTC 8507 includes compressor, expander, pre-amp, filter amp, limiter and mute/bypass logic.

FEATURES

- * Wide Supply Voltage (2.4 ~ 7V)
- * Easy Gain Control
- * Mute/Bypass Logic
- * Data In/Out Pin



PIN CONFIGURATION



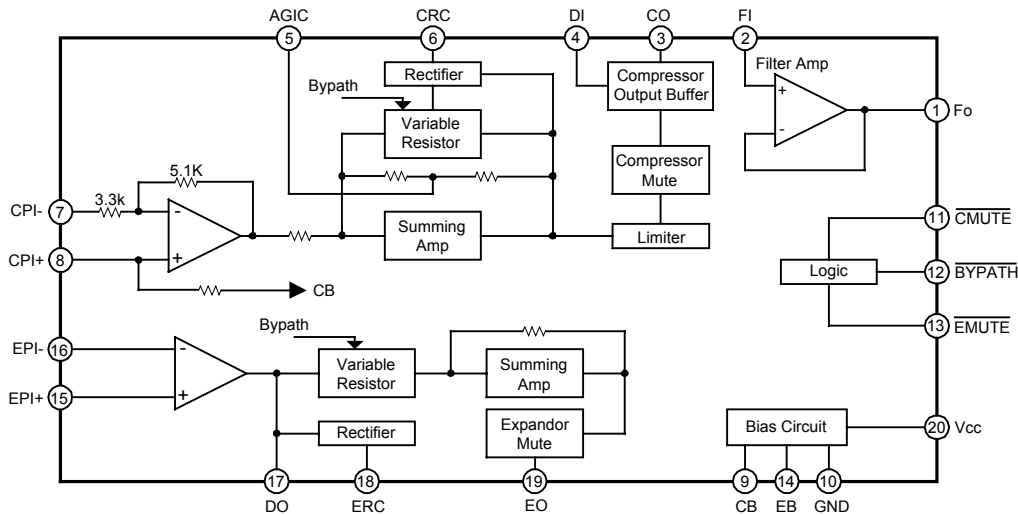
UTC 8507

LINEAR INTEGRATED CIRCUIT

PIN DESCRIPTION

PIN No.	SYMBOL	DESCRIPTION	PIN No.	SYMBOL	DESCRIPTION
1	FO	Filter Amp Output	11	CMUTE	Compressor Mute
2	FI	Filter Amp Input	12	BYPATH	No companding
3	CO	Compressor Output	13	EMUTE	Expander Mute
4	DI	Data Input	14	EB	Expander Reference Bias
5	AGIC	AC Gain Infinity Capacitor	15	EPI+	Expander Non-Inverting Input
6	CRC	Compressor Rectifier Capacitor	16	EPI-	Expander Inverting Input
7	CPI-	Compressor Inverting Input	17	DO	Data Output
8	CPI+	Compressor Non-Inverting Input	18	ERC	Expander Rectifier Capacitor
9	CB	Compressor Reference Bias	19	EO	Expander Output
10	GND	Ground	20	Vcc	Supply Voltage

BLOCK DIAGRAM



ABSOLUTE MAXIMUM RATINGS

PARAMETER	SYMBOL	RATINGS	UNIT
Supply Voltage	Vcc	10	V
Power Dissipation	DIP-20 SOP-20	P _D	1000
			410
Operating Temperature	T _{opr}	-20 ~ +70	°C
Storage Temperature	T _{stg}	-55 ~ +150	°C

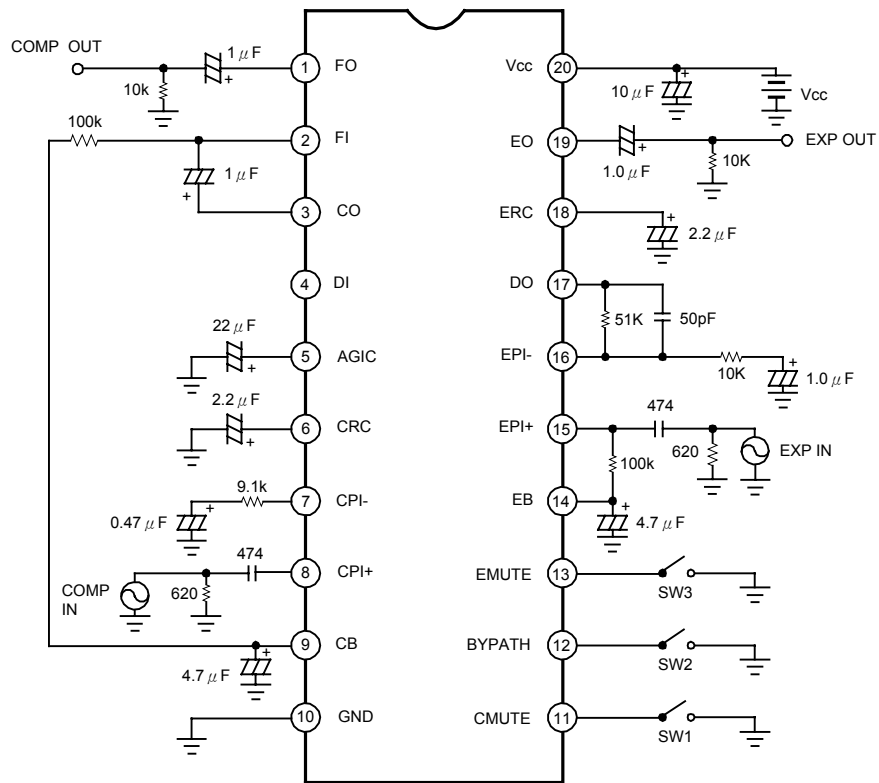
UTC 8507

LINEAR INTEGRATED CIRCUIT

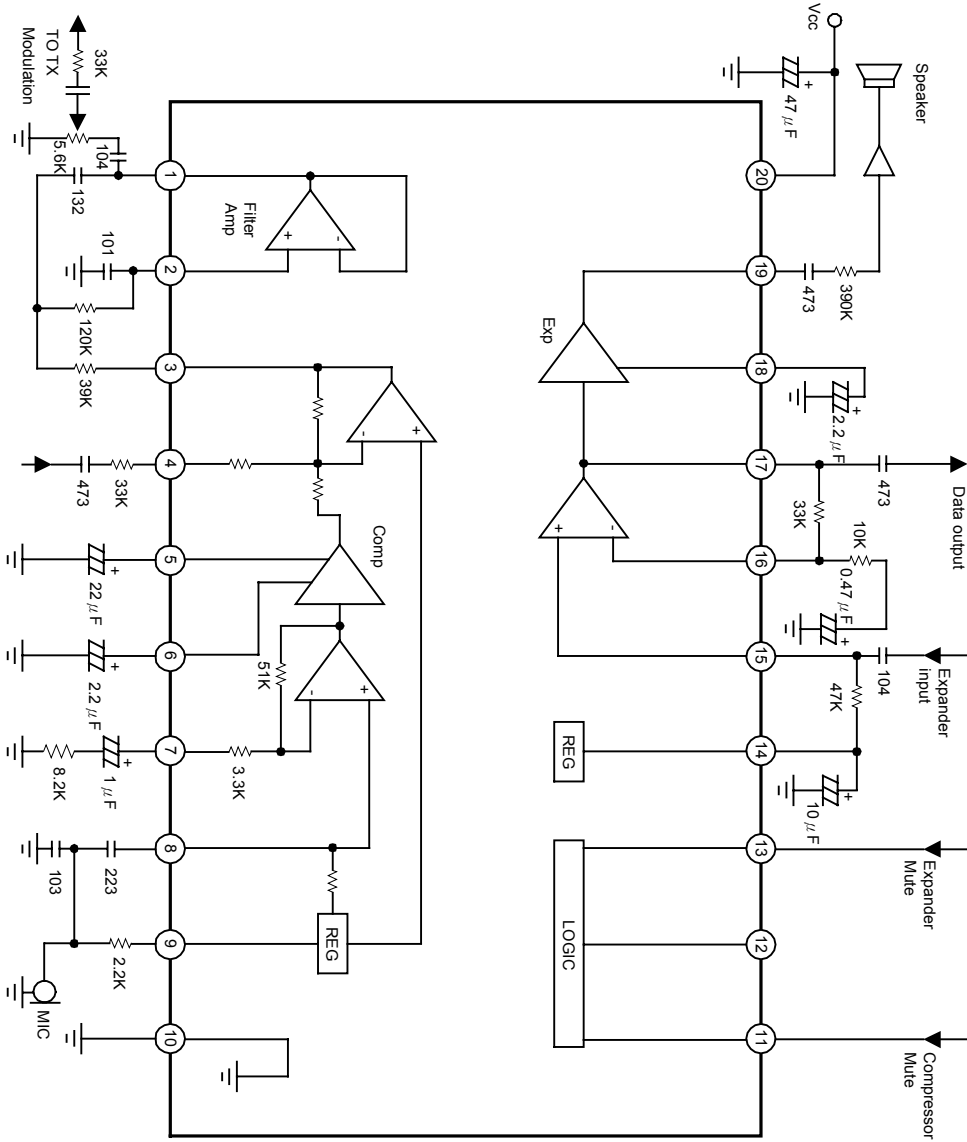
ELECTRICAL CHARACTERISTICS (V_{CC}=3V, f=1kHz, T_a=25°C, unless otherwise noted)

PARAMETER	SYMBOL	TEST CONDITIONS	MIN	TYP	MAX	UNIT
DC ELECTRICAL CHARACTERISTICS						
Operating Voltage	V _{CC}			2.4	7.0	V
Operating Current	I _{CC}	No signal		4.0	6.5	mA
COMPRESSOR PART						
Standard Input Voltage (0dB)	V _{I (COMP)}	V _{out} =300mV _{rms} =0dB	8.0	12.5	17.0	mV _{rms}
Gain Difference	ΔG _{V1 (COMP)}	V _{in} =-20dB	-0.5	0	+0.5	dB
	ΔG _{V2 (COMP)}	V _{in} =-40dB	-1.0	0	+1.0	
Bypath Gain Difference	ΔG _{VB (COMP)}	V _{in} =0dB, BYPATH=GND	-1.5	0	+1.5	dB
Output Distortion	THD _{COMP}	V _{in} =0dB		0.5	1.0	%
Noise Output Voltage	V _{NO (COMP)}	R _g =620Ω		3.0	5.5	mV _{rms}
Mute Attenuation Ratio	ATT _{MUTE}	V _{in} =0dB, CMUTE=GND	60	80		dB
Limiting Voltage	V _{LIM (COMP)}		1.15	1.35	1.50	V _{p-p}
EXPANDER PART						
Standard Output Level (0dB)	V _{O (EXP)}	V _{in} =30mV _{rms} =0dB	110	130	160	mV _{rms}
Gain Difference	ΔG _{V1 (EXP)}	V _{in} =-10dB-0.5	-0.5	0	+0.5	dB
	ΔG _{V2 (EXP)}	V _{in} =-20dB	-1.0	0	+1.0	
	ΔG _{V3 (EXP)}	V _{in} =-30dB	-1.5	0	+2.0	
Bypath Gain Difference	ΔG _{VB (EXP)}	V _{in} =0dB, BYPATH=GND	-2.5	0	+0.5	dB
Output Distortion	THD _{EXP}	V _{in} =0dB		0.5	1.5	%
Noise Output Voltage	V _{NO (EXP)}	R _g =620Ω		10.0	30.0	μV _{rms}
Mute Attenuation Ratio	ATT _{MUTE}	V _{in} =0dB, EMUTE=GND	60	80		dB
Limiting Voltage	V _{OEXP (MAX)}	THD=10%	700	800		mV _{rms}

TEST CIRCUIT



APPLICATION CIRCUIT (HAND SET)



UTC assumes no responsibility for equipment failures that result from using products at values that exceed, even momentarily, rated values (such as maximum ratings, operating condition ranges, or other parameters) listed in products specifications of any and all UTC products described or contained herein. UTC products are not designed for use in life support appliances, devices or systems where malfunction of these products can be reasonably expected to result in personal injury. Reproduction in whole or in part is prohibited without the prior written consent of the copyright owner. The information presented in this document does not form part of any quotation or contract, is believed to be accurate and reliable and may be changed without notice.