

Coaxial

Power Splitter/Combiner

ZFSC-2-5

2 Way-0° 50Ω 10 to 1500 MHz



BNC version shown
CASE STYLE: K18

Maximum Ratings

Operating Temperature	-55°C to 100°C
Storage Temperature	-55°C to 100°C
Power Input (as a splitter)	1W max.
Internal Dissipation	0.125W max.

Coaxial Connections

SUMPORT	3
PORT 1	1
PORT 2	2

Features

- wideband, 10 to 1500 MHz
- high insertion loss, 0.5 dB typ.
- high isolation, 30 dB typ.
- excellent amplitude unbalance, 0.1 dB typ.
- excellent phase unbalance, 0.5 deg. typ.
- rugged shielded case

Applications

- cellular
- satellite distribution
- VHF/UHF

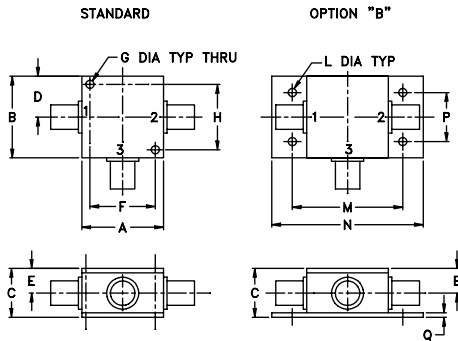
Connectors	Model	Price	Qty.
BNC	ZFSC-2-5	\$59.95	(1-9)
SMA	ZFSC-2-5-S	\$64.95	(1-9)
N-TYPE	ZFSC-2-5-N	\$64.95	(1-9)
BRACKET (OPTION "B")		\$2.50	(1+)

Splitter Electrical Specifications

FREQ. RANGE (MHz)	ISOLATION (dB)						INSERTION LOSS (dB) ABOVE 3.0 dB						PHASE UNBALANCE (Degrees)			AMPLITUDE UNBALANCE (dB)		
	L		M		U		L		M		U		L	M	U	L	M	U
	Typ.	Min	Typ.	Min	Typ.	Min	Typ.	Max.	Typ.	Max.	Typ.	Max.	Max.	Max.	Max.	Max.	Max.	Max.
10-1500	25	15	30	20	25	18	0.25	0.6	0.5	1.0	0.8	1.5	2	3	4	0.15	0.20	0.50

L = low range [f_L to $10 f_L$] M = mid range [$10 f_L$ to $f_U/2$] U = upper range [$f_U/2$ to f_U]

Outline Drawing



Outline Dimensions (inch/mm)

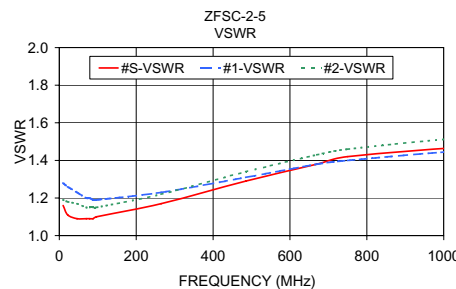
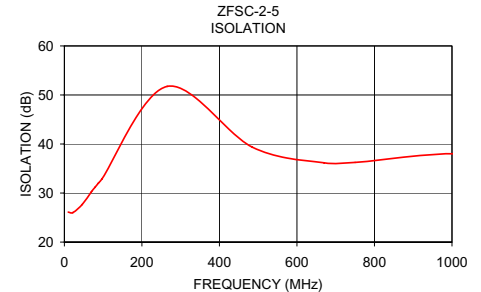
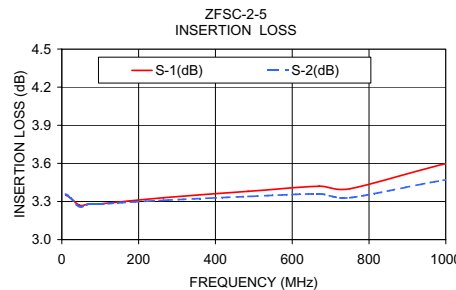
A	B	C	D	E	F	G	H
1.25	1.25	.75	.63	.38	1.00	.125	1.000
31.75	31.75	19.05	16.00	9.65	25.40	3.18	25.40

J	K	L	M	N	P	Q	wt
--	--	.125	1.688	2.18	.75	.07	grams
--	--	3.18	42.88	55.37	19.05	1.78	70.0

For option B with N-type connectors, dimension "C" increases to 0.94 inches.

Typical Performance Data

Frequency (MHz)	Insertion Loss (dB)		Amplitude Unbalance (dB)	Isolation (dB)	Phase Unbalance (deg.)	VSWR S	VSWR 1	VSWR 2
	S-1	S-2						
10.00	3.35	3.36	0.00	26.11	0.04	1.16	1.28	1.19
22.00	3.33	3.33	0.00	26.02	0.02	1.11	1.26	1.18
46.00	3.27	3.26	0.01	27.66	0.01	1.09	1.23	1.17
70.00	3.28	3.28	0.00	30.29	0.07	1.09	1.20	1.15
79.00	3.28	3.28	0.01	31.18	0.10	1.09	1.20	1.15
88.00	3.28	3.28	0.00	32.04	0.02	1.09	1.19	1.15
97.00	3.28	3.28	0.00	32.89	0.08	1.10	1.19	1.15
265.00	3.33	3.31	0.02	51.74	0.16	1.17	1.23	1.22
485.00	3.38	3.34	0.03	39.34	0.22	1.29	1.31	1.34
670.00	3.42	3.36	0.06	36.17	0.13	1.38	1.38	1.43
750.00	3.40	3.33	0.07	36.25	0.21	1.42	1.40	1.46
1050.00	3.63	3.49	0.14	37.77	0.23	1.47	1.45	1.52
1200.00	3.62	3.43	0.19	30.23	0.15	1.47	1.44	1.52
1350.00	3.92	3.67	0.25	24.72	0.09	1.54	1.40	1.51
1500.00	4.12	3.83	0.29	20.60	0.48	1.82	1.33	1.49



electrical schematic

